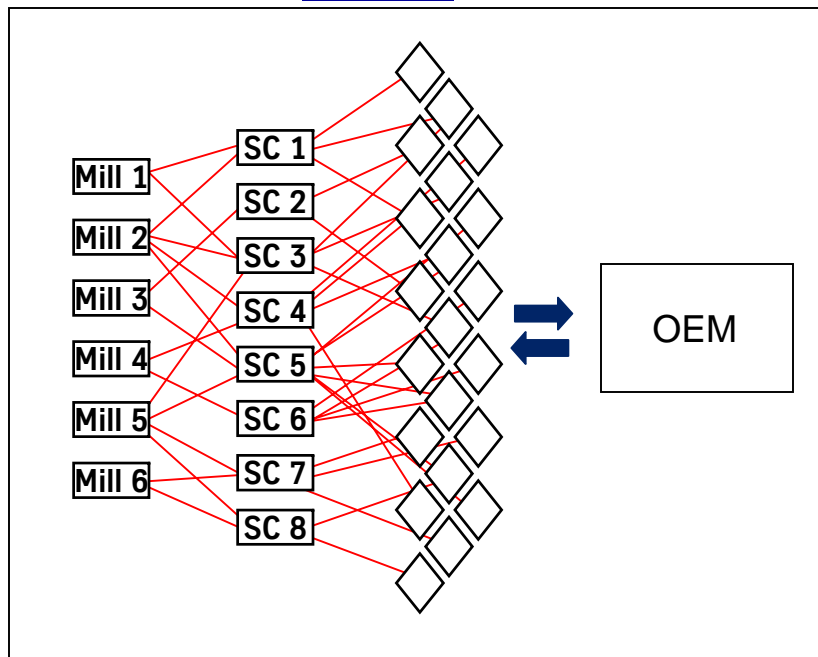
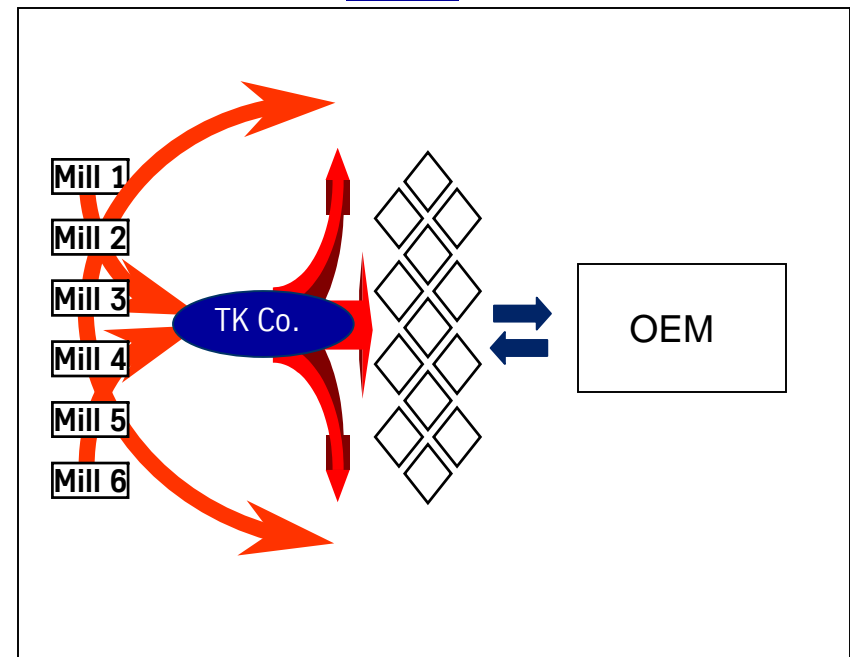


Supply Chain Consolidation Aerospace Industry

Before



After



- Supply shortages
- False demands
- No economies of scale

- Integrated data management
- Mill performance management
- Leveraged demand